



www.leahindustries.com

SHIP: No. 588, Caonong Road Shanghai 201612

EMAIL: shanghai.jwu@outlook.com leah.zhang@outlook.com

TEL: +86-21-57621378 FAX: +86-21-57621739

COMPRESSOR AND VALVE DATA SHEET

CUST. NAME:	DATE:
ADDRESS:	PREPARED BY:
	LEAH QUOTE #:
ATTN:	CUST. REF. #:
PHONE:	FAX :

COMPRESSOR CYL. MFGR.:	<input type="checkbox"/> LUBE <input type="checkbox"/> NON-LUBE
MODEL:	<input type="checkbox"/> MOTOR DRIVEN <input type="checkbox"/> ENGINE
COMPRESSOR LOCATION:	ELEVATION: (<input type="checkbox"/> ft. <input type="checkbox"/> m)
COMPRESSOR PLANT REF.:	BHP (RATED/ACTUAL): /

RPM:	CAPACITY:	STAGE 1	STAGE 2	STAGE 3
CYLINDER BORE DIA. (<input type="checkbox"/> in. <input type="checkbox"/> mm.)				
STROKE (<input type="checkbox"/> in. <input type="checkbox"/> mm.)				
ROD DIA. (<input type="checkbox"/> in. <input type="checkbox"/> mm.)				
NUMBER OF CYL. PER STAGE				
SINGLE OR DOUBLE ACTING (If Single, indicate HE or CE)				
INLET PRESSURE (Ps) [Gage] (<input type="checkbox"/> psi <input type="checkbox"/> bar <input type="checkbox"/> kg/cm ²)				
DISCH. PRESSURE (Pd) [Gage] (<input type="checkbox"/> psi <input type="checkbox"/> bar <input type="checkbox"/> kg/cm ²)				
MAXIMUM ΔP (<input type="checkbox"/> psi <input type="checkbox"/> bar <input type="checkbox"/> kg/cm ²)				
INLET TEMPERATURE (Ts) (<input type="checkbox"/> °F <input type="checkbox"/> °C)				
DISCHARGE TEMPERATURE (Td) (<input type="checkbox"/> °F <input type="checkbox"/> °C)				
NO. OF SUCTION VALVES PER CYLINDER END				
NO. OF DISCHARGE VALVES PER CYLINDER END				
TOTAL NO. OF VALVES PER CYLINDER				
SUCTION VALVE UNLOADERS - (F)INGER (P)LUG				
FIXED CLEARANCE VOLUME - %				

DESCRIBE PROBLEMS AND OPERATING LIFE <input type="checkbox"/> BROKEN PLATES <input type="checkbox"/> SPRINGS <input type="checkbox"/> SEATS <input type="checkbox"/> DIRT <input type="checkbox"/> CRUD <input type="checkbox"/> CAPACITY <input type="checkbox"/> SALT <input type="checkbox"/> STRESS CRACKING <input type="checkbox"/> OTHER	FREQUENCY OF PROBLEM (DAYS, WEEKS, MONTHS, etc.)
---	--

REGULAR VALVE MAINTENANCE INTERVAL:

VALVES RECONDITIONED: IN-HOUSE OUTSIDE SERVICE NOT RECONDITIONED (REPLACE WITH NEW)

GAS DESCRIPTION - SEE PAGE 2
COMPLETE INFORMATION WILL BE REQUIRED FOR ANALYTICAL COMPARISONS AND/OR MANUFACTURING

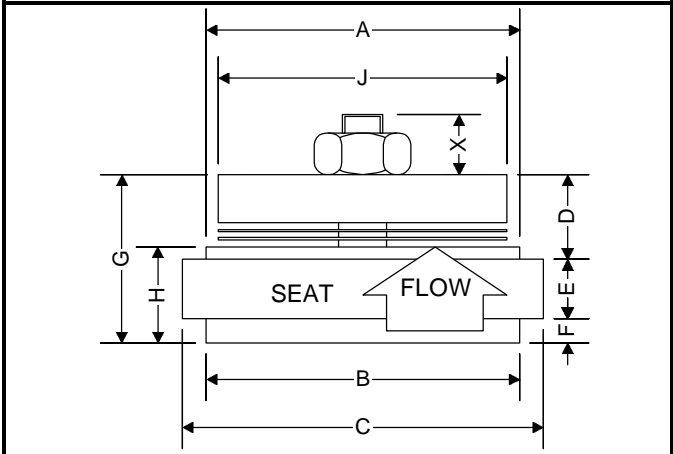
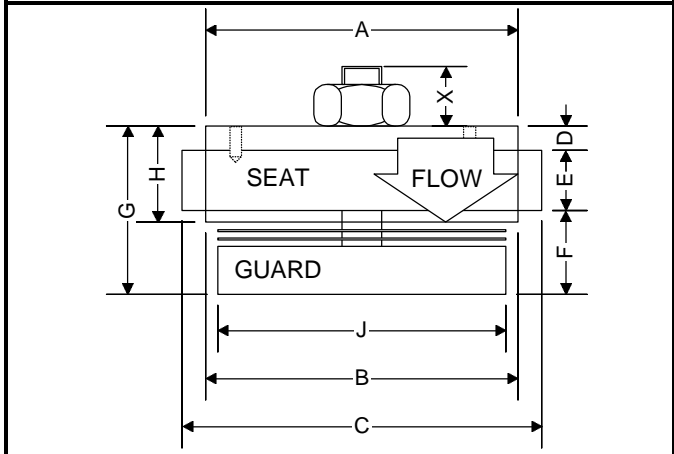
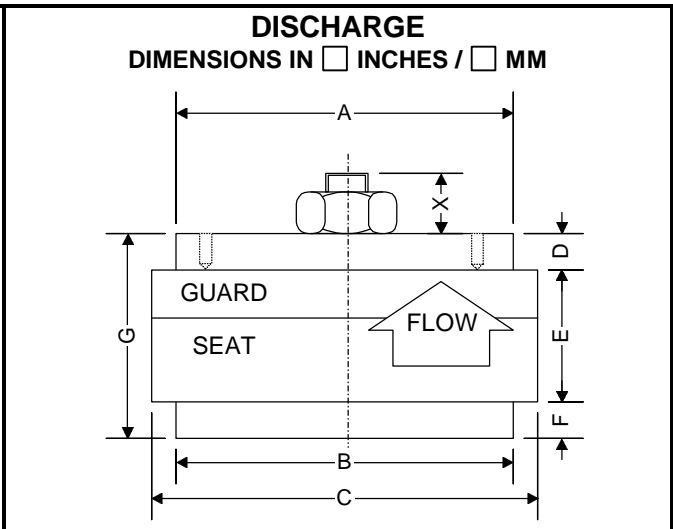
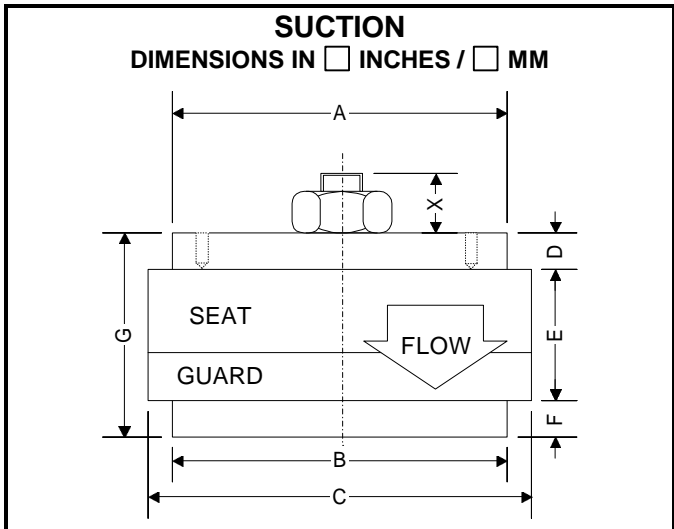
GAS ANALYSIS
(COMPOSITION EXPRESSED IN MASS % UNLESS OTHERWISE NOTED)

ANALYSIS ATTACHED

GAS		MW	%	GAS		MW	%
AIR		28.966		I-BUTANE	C ₄ H ₁₀	58.120	
OXYGEN	O ₂	32.000		n-BUTANE	C ₄ H ₁₀	58.120	
NITROGEN	N ₂	28.016		I-PENTANE	C ₅ H ₁₂	72.146	
WATER VAPOR ¹	H ₂ O	18.016		n-PENTANE	C ₅ H ₁₂	72.146	
CARBON MONOXIDE	CO	28.010		HEXANE PLUS			
CARBON DIOXIDE	CO ₂	44.010		AMMONIA	NH ₃	17.031	
HYDROGEN SULFIDE	H ₂ S	34.076		HYDROGEN CHLORIDE	HCl	36.461	
HYDROGEN	H ₂	2.016		CHLORINE	Cl	70.914	
METHANE	CH ₄	16.042		CHLORIDES - TRACES ¹			
ETHYLENE	C ₂ H ₄	28.052					
ETHANE	C ₂ H ₆	30.068					
PROPYLENE	C ₃ H ₆	42.078					
PROPANE	C ₃ H ₈	44.094					
CALCULATED MOL. WT.				Cp/Cv (K) @ 150°F OR		<input type="checkbox"/> °F <input type="checkbox"/> °C	
CORROSIVES			<input type="checkbox"/> Yes / <input type="checkbox"/> No	LIQUIDS		<input type="checkbox"/> Yes / <input type="checkbox"/> No	
STICKY BUILD-UP			<input type="checkbox"/> Yes / <input type="checkbox"/> No	SOLID DEBRIS		<input type="checkbox"/> Yes / <input type="checkbox"/> No	

1- IF WATER VAPOR AND/OR CHLORIDES ARE PRESENT, EVEN IN MINUTE TRACES, IT MUST BE INCLUDED ABOVE.

Sketch any other details here:



STAGE	1	2	3
A			
B			
C			
D			
E			
F			
G			
H			
J			
X ¹			
Size & Thd. ¹			
Qty ²			
Bolt Circle ²			
Size ²			
Thread ²			
Depth ²			
Lift			
OEM #			

STAGE	1	2	3
A			
B			
C			
D			
E			
F			
G			
H			
J			
X ¹			
Size & Thd. ¹			
Qty ²			
Bolt Circle ²			
Size ²			
Thread ²			
Depth ²			
Lift			
OEM #			

1- Center Stud Data

2- Cage Hole Data

UNLOADER DIMENSIONS IN <input type="checkbox"/> INCHES / <input type="checkbox"/> MM			
STAGE	1	2	3
A			
B			
C			
D			
E			
F			
G			
H			
J			
K			
L			
M			
N			
P			
Q			

ACTUATOR (IF DATA IS AVAILABLE)	
<input type="checkbox"/> PNEUMATIC	<input type="checkbox"/> MANUAL
PISTON DIAMETER (<input type="checkbox"/> in. <input type="checkbox"/> mm.)	
AVAILABLE AIR PRESS. [Gage] (<input type="checkbox"/> psi <input type="checkbox"/> bar <input type="checkbox"/> kg/cm ²)	

